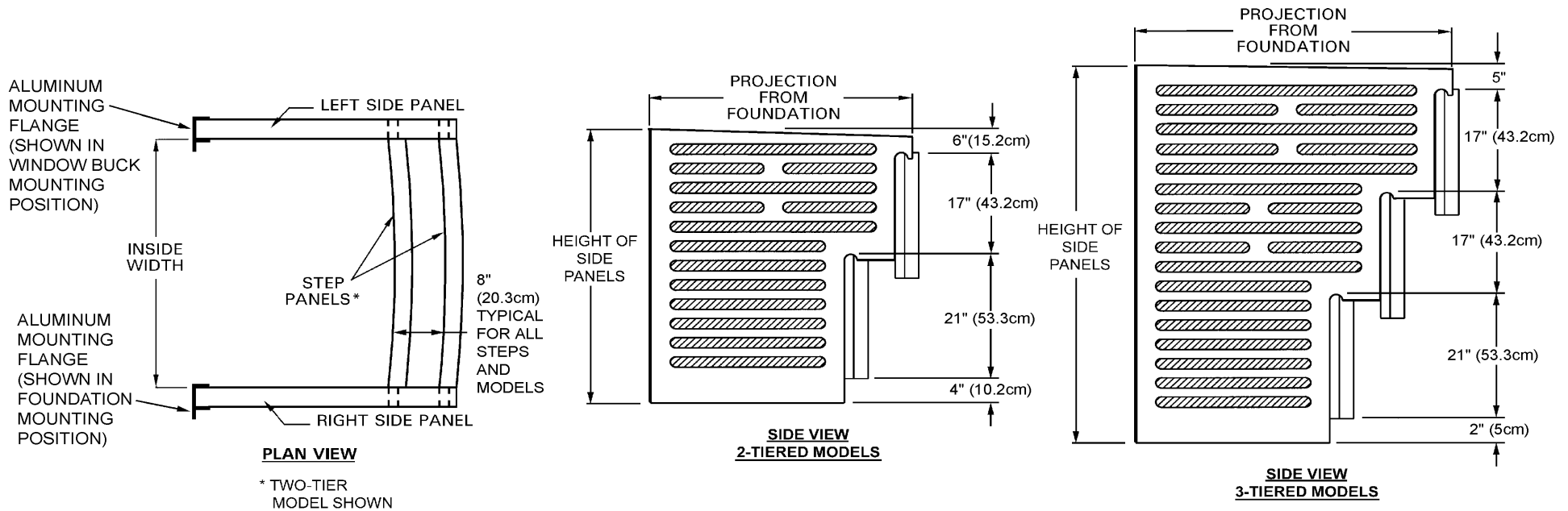




SCAPEWEL[®] Window Well Standard Sizes and Dimensions

ScapeWEL is supplied for wall mount installation and can be modified in the field for buck mount installation.



Model	Number of Tiers	Inside Width		Projection from Foundation		Height* of Side Panels				Extension Model Number	Maxium Width of Opening			
						Standard		with Extension			Wall Mount		Buck Mount	
		inches	cm	inches	cm	inches	cm	inches	cm		inches	cm	inches	cm
4048-42	2	42	106.7	41	104.1	48	121.9	X	X	X	42	106.7	38	96.5
4048-54	2	54	137.2	41	104.1	48	121.9	X	X	X	54	137.2	50	127
4048-66	2	66	167.6	41	104.1	48	121.9	X	X	X	66	167.6	62	157.5
4862-42	3	42	106.7	49	124.5	62	157.5	81	205.7	3019-42	42	106.7	38	96.5
4862-54	3	54	137.2	49	124.5	62	157.5	81	205.7	3019-54	54	137.2	50	127
4862-66	3	66	167.6	49	124.5	62	157.5	81	205.7	3019-66	66	167.6	62	157.5

*Side panels must extend 4" (10.2cm) above grade level and 3-1/2" (8.9cm) below thw window sill.

Note: The distance from the outside of the foundation wall to the inside face of the first step is 30" (76.2cm) as shown in the detail above